

MK-SP-KE-250

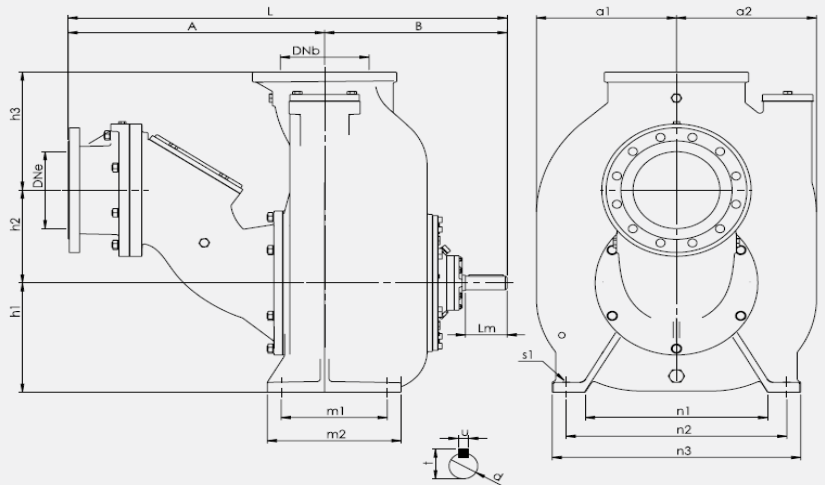
Model	MK-SP-KE-250 SELFRIMING	
Suction flange	DN-250	PN-10
Discharge flange	DN-250	PN-10
Volute material	GG-25	
Impeller material	Bronze	
Shaft material	Stainless steel	
Wearplate material	Bronze	
Shaft sealing	Mechanical seal	

Pump info / 1450rpm

Capacity (M ³ /H)	800	Height (mWC)	25
Hm Max (Q=0 m)	46		
Impeller Dia (mm)	375		
Liquid	water		
Temperature (°C)	20	Density	1

Motor info

Power (KW)	75	Casing	IEC
Protection Class	IP55	Voltage (V)	400/690
Frequentie (Hz)	50	Phase	3
Motor Power (KW)	90	Max Power (KW)	90
Speed (RPM)	1450		



Dimensions																		Weight [kg]		
Outside Dimensions						Supporting Foot Dimensions						Shaft Dimensions								
DNb	DNb	A	B	L	h1	h2	h3	a1	a2	n1	n2	n3	m1	m2	s1	d	Lm	t	u	
250	250	738	525	1263	355	302	384	403	403	525	635	715	305	385	22	45	120	48,5	14	742

