

MK-SP-KE-200

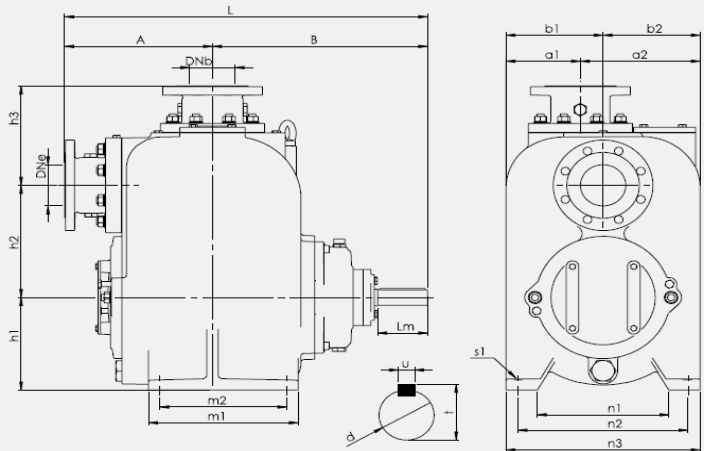
Model	MK-SP-KE-200 SELFPRIMING	
Suction flange	DN-200	PN-10
Discharge flange	DN-200	PN-10
Volute material	GG-25	
Impeller material	Bronze	
Shaft material	Stainless steel	
Wearplate material	Bronze	
Shaft sealing	Mechanical seal	

Pump info / 1450rpm

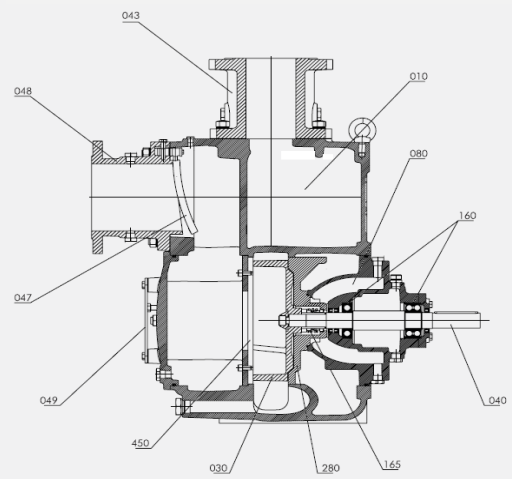
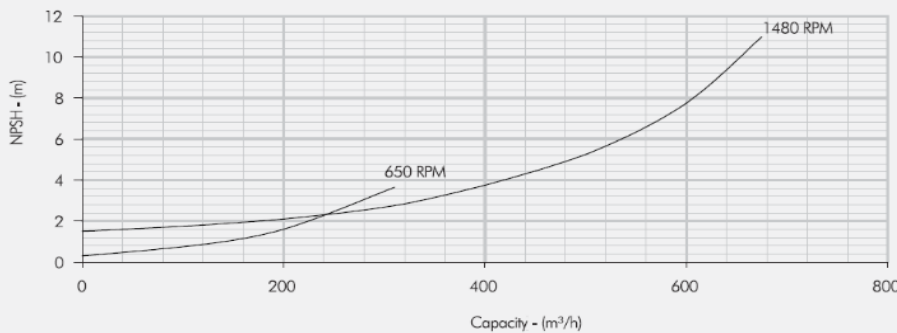
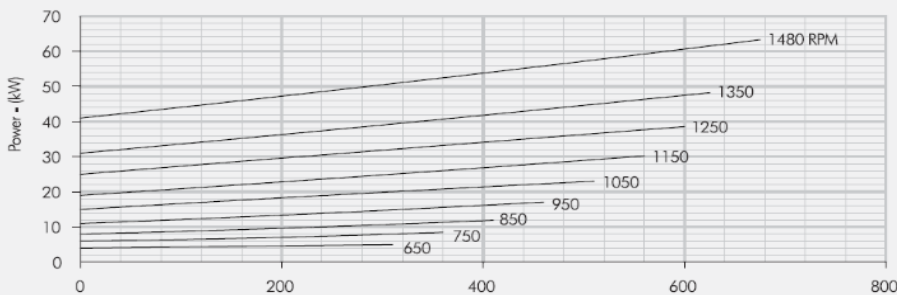
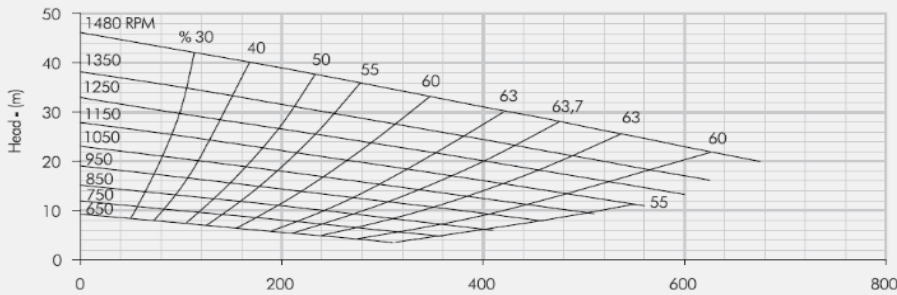
Capacity (M ³ /H)	600	Height (mWC)	22
Hm Max (Q=0 m)	45		
Impeller Dia (mm)	375		
Liquid	water		
Temperature (°C)	20	Density	1

Motor info

Power (KW)	60	Casing	IEC
Protection Class	IP55	Voltage (V)	400/690
Frequentie (Hz)	50	Phase	3
Motor Power (KW)	75	Max Power (KW)	75
Speed (RPM)	1480		



Dimensions (mm)																Weight (kg)						
Outside Dimensions						Supporting Foot Dimensions						Shaft Dimensions										
DNe	DNb	A	B	L	h1	h2	h3	a1	a2	b1	b2	n1	n2	n3	m1	m2	s1	a	Lm	t	u	
200	200	423	559	982	335	328	328	358	358	358	358	549	630	717	385	305	22	45	120	48,5	14	666



Shaft	040
Mechanical Seal	165
Impeller	030
Wear Plate	450
Cover Carrying Plate	049
Flap	047
Suction Flange	048
Discharge Flange	043
Volute Casing	010
Bearing Housing	080
Bearing	160