

MK-SP-KE-150

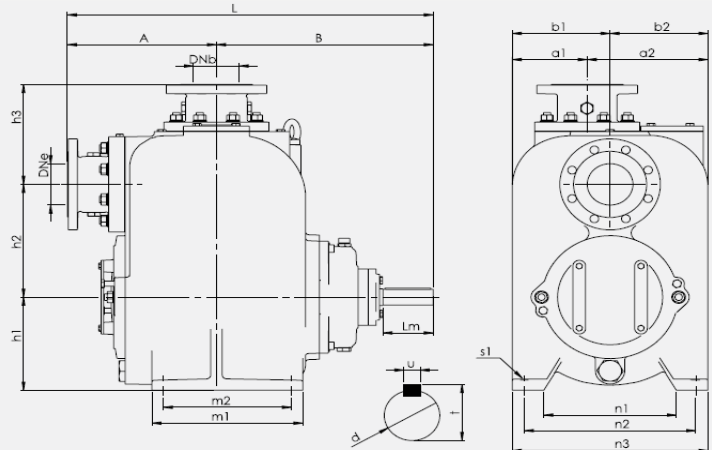
Model	MK-SP-KE-150 SELFPRIMING	
Suction flange	DN-150	PN-10
Discharge flange	DN-150	PN-10
Volute material	GG-25	
Impeller material	Bronze	
Shaft material	Stainless steel	
Wearplate material	Bronze	
Shaft sealing	Mechanical seal	

Pump info / 1450rpm

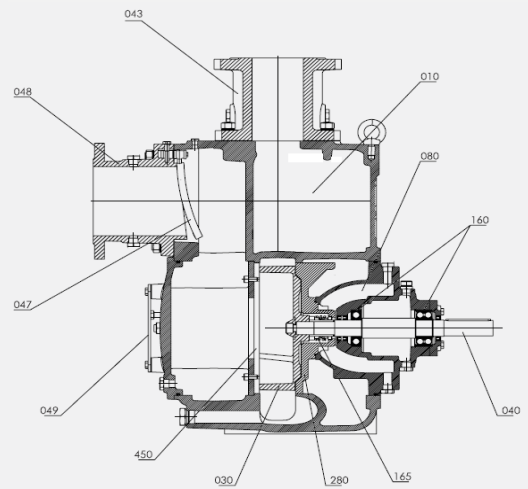
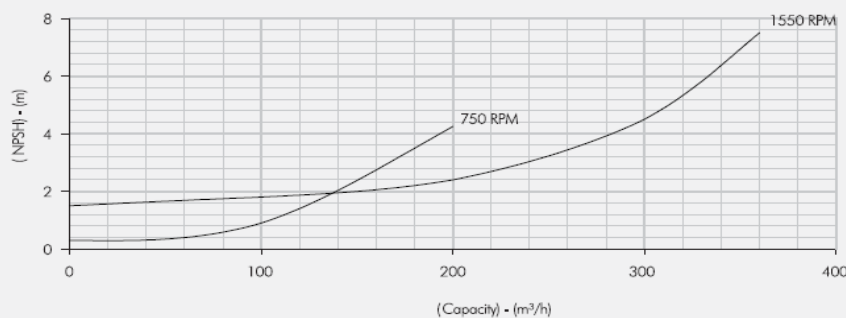
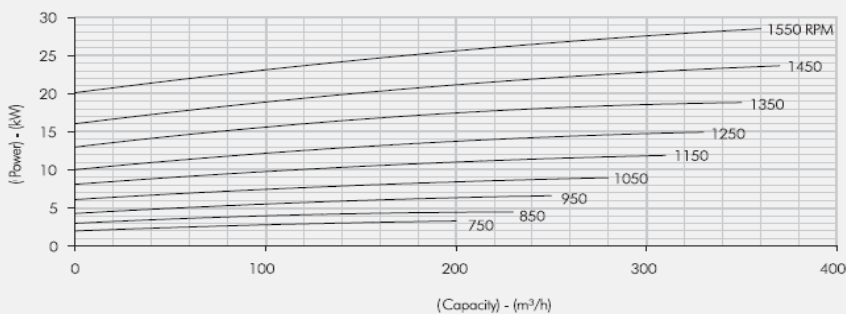
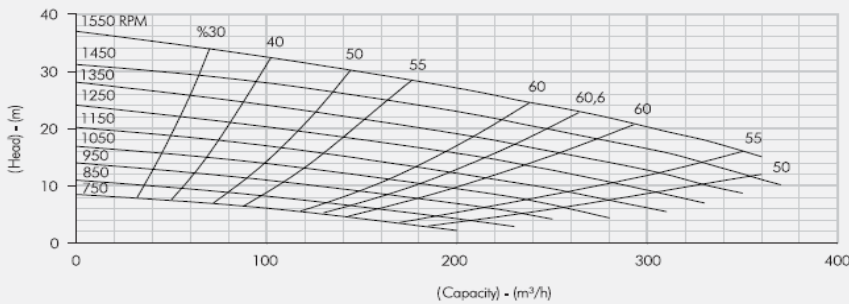
Capacity (M ³ /H)	300	Height (mWC)	17
Hm Max (Q=0 m)	37		
Impeller Dia (mm)	314		
Liquid	water		
Temperature (°C)	20	Density	1

Motor info

Power (KW)	24	Casing	IEC
Protection Class	IP55	Voltage (V)	400/690
Frequentie (Hz)	50	Phase	3
Motor Power (KW)	30	Max Power (KW)	30
Speed (RPM)	1450		



Dimensions (mm)													Weight (kg)									
Outside Dimensions			Supporting Foot Dimensions						Shaft Dimensions													
DNc	DNb	A	B	L	h1	h2	h3	a1	a2	b1	b2	n1	n2	n3	m1	m2	s1	d	Lm	t	u	395
150	150	413	482	895	260	312	352	231	356	294	294	423	520	585	340	280	18	38	110	41	10	



Shaft	040
Mechanical Seal	165
Impeller	030
Wear Plate	450
Cover Carrying Plate	049
Flap	047
Suction Flange	048
Discharge Flange	043
Volute Casing	010
Bearing Housing	080
Bearing	160