

MK-SP-KE-100

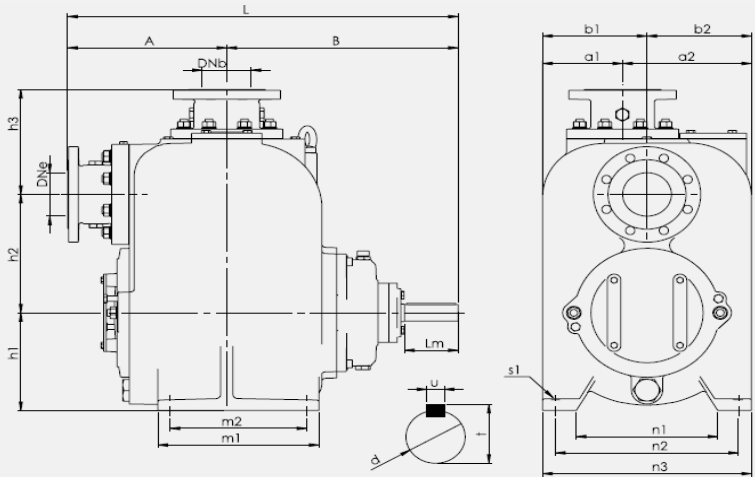
Model	MK-SP-KE-100 SELFPRIMING	
Suction flange	DN-100	PN-10
Discharge flange	DN-100	PN-10
Volute material	GG-25	
Impeller material	Bronze	
Shaft material	Stainless steel	
Wearplate material	Bronze	
Shaft sealing	Mechanical seal	

Pump info / 1450rpm

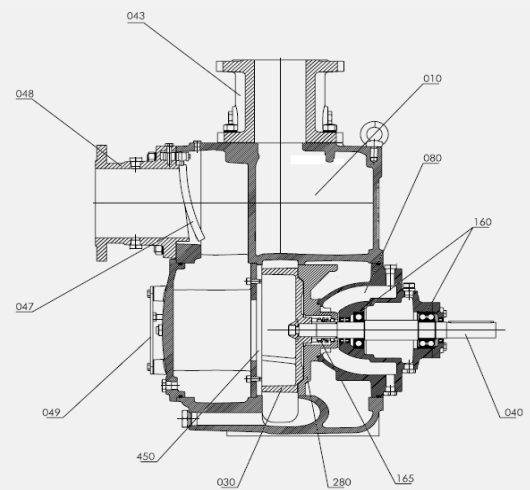
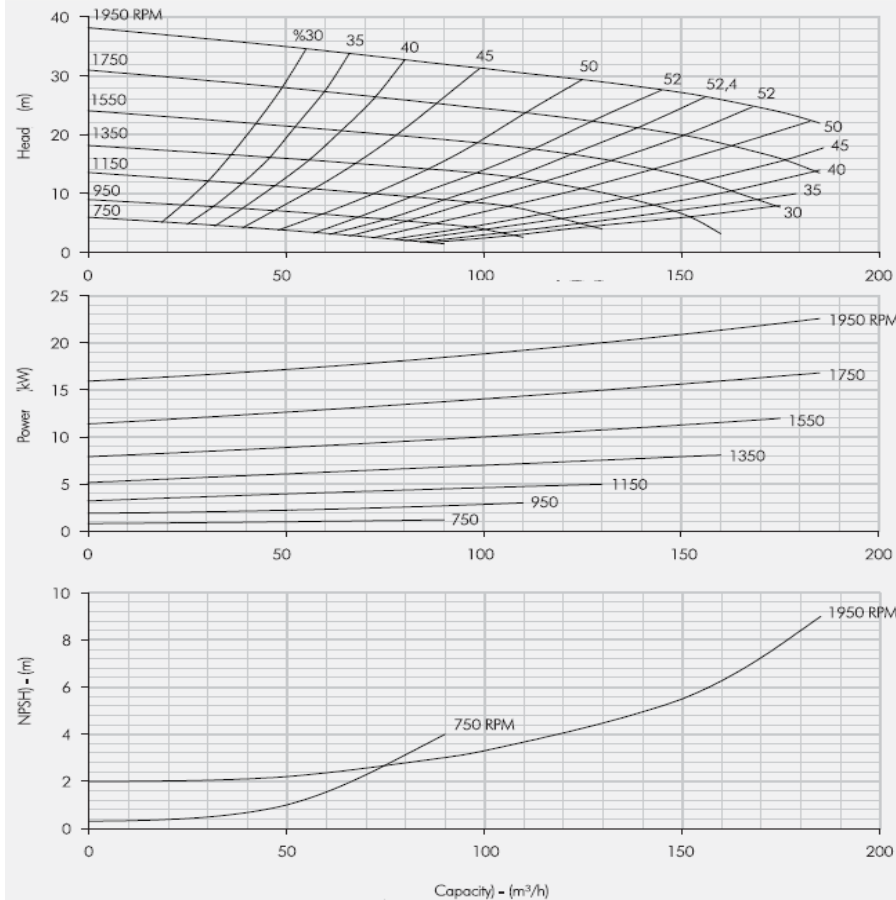
Capacity (M ³ /H)	125	Height (mWC)	13
Hm Max (Q=0 m)	22		
Impeller Dia (mm)	252		
Liquid	water		
Temperature (°C)	20	Density	1

Motor info

Power (KW)	10	Casing	IEC
Protection Class	IP55	Voltage (V)	400/690
Frequentie (Hz)	50	Phase	3
Motor Power (KW)	11	Max Power (KW)	11
Speed (RPM)	1450		



		Dimensions (mm)														Weight (kg)						
Outside Dimensions		Supporting Foot Dimensions								Shaft Dimensions												
DNe	DNb	A	B	L	h1	h2	h3	a1	a2	b1	b2	n1	n2	n3	m1	m2	s1	d	Lm	t	u	
100	100	326	474	800	225	273	242	164	264	214	214	428	375	290	330	280	18	38	110	41	10	255



Shaft	040
Mechanical Seal	165
Impeller	030
Wear Plate	450
Cover Carrying Plate	049
Flap	047
Suction Flange	048
Discharge Flange	043
Volute Casing	010
Bearing Housing	080
Bearing	160