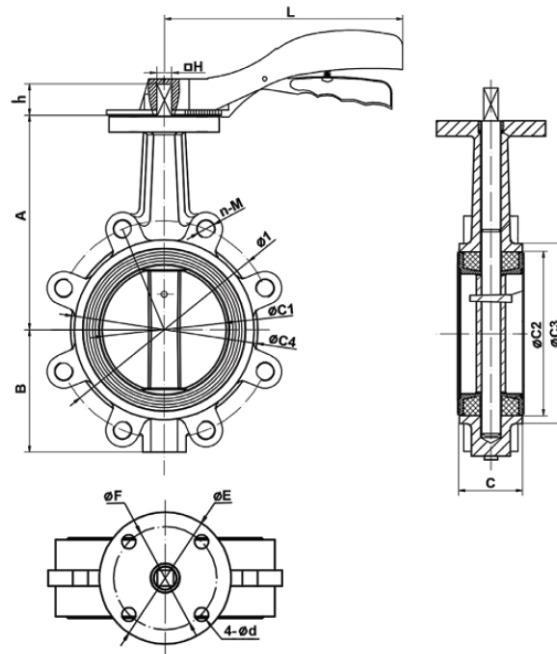


MK-VLINDERKLEP TYPE LUG



| DN | | A | B | C | C1 | C2 | C3 | C4 | Ø1 | N-M | ØF | ØE | n-Ø | L | H | Maneuvering torque, Nm | Weight (kg) |
|-----|--------|-----|-----|----|-----|-----|-----|-----|-----|--------|-----|-----|-------|-----|----|------------------------|-------------|
| mm | inch | | | | | | | | | | | | | | | | |
| 40 | 1 1/2" | 120 | 58 | 33 | 41 | 71 | 81 | 88 | 110 | 4-M16 | 50 | 65 | 4-Ø7 | 170 | 9 | 12 | 2.7 |
| 50 | 2" | 140 | 58 | 42 | 51 | 75 | 87 | 93 | 125 | 4-M16 | 50 | 65 | 4-Ø7 | 170 | 9 | 16 | 3.05 |
| 65 | 2 1/2" | 150 | 68 | 45 | 63 | 92 | 104 | 110 | 145 | 4-M16 | 50 | 65 | 4-Ø7 | 170 | 9 | 18 | 3.5 |
| 80 | 3" | 158 | 81 | 45 | 77 | 105 | 118 | 123 | 160 | 8-M16 | 50 | 65 | 4-Ø7 | 170 | 9 | 25 | 4.6 |
| 100 | 4" | 176 | 94 | 52 | 103 | 134 | 149 | 156 | 180 | 8-M16 | 50 | 65 | 4-Ø7 | 170 | 11 | 42 | 6.6 |
| 125 | 5" | 190 | 109 | 56 | 122 | 158 | 176 | 183 | 210 | 8-M16 | 70 | 90 | 4-Ø10 | 215 | 14 | 65 | 8.5 |
| 150 | 6" | 211 | 130 | 56 | 155 | 187 | 205 | 211 | 240 | 8-M20 | 70 | 90 | 4-Ø10 | 215 | 14 | 110 | 10.4 |
| 200 | 8" | 235 | 156 | 60 | 201 | 236 | 257 | 264 | 295 | 12-M20 | 102 | 125 | 4-Ø12 | 352 | 17 | 200 | 17.2 |
| 250 | 10" | 267 | 190 | 68 | 249 | 291 | 319 | 329 | 355 | 12-M24 | 102 | 125 | 4-Ø12 | 352 | 22 | 330 | 28.2 |
| 300 | 12" | 305 | 225 | 78 | 300 | 342 | 374 | 385 | 410 | 12-M24 | 102 | 125 | 4-Ø12 | 440 | 22 | 500 | 44 |

Maximum working pressure : 16 bar
 Maximum vacuum pressure : 0.8 bar for 10 minutes
 Maximum working temperature : -15°C / +130°C
 Peak temperature : -30°C / +150°C