

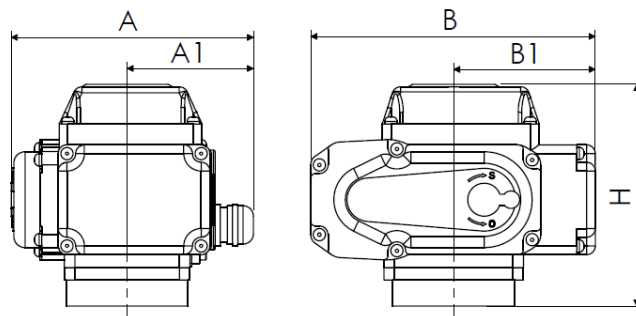
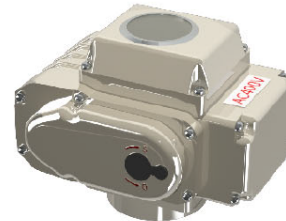
MK-ELECTRISCHE ACTUATOR 220V AC

APPLICATION

General use : Actuator for 1/4 turn valve such as : butterfly valve, ball valve.

GENERAL CHARACTERISTICS

- Closed asynchronous actuator with aluminium case.
- Service : S2-15 (On/Off)
- Electrical conduit : M20x1.5 with cable gland.
- Emergency commands by amovable allen wrench.
- Connection according to ISO 5211 standard.
- Position indicator.
- Ingress protection IP67.
- 2 end switches SPDT Opening/Shutting.
- Integrated heating resistance.
- Adjustable mechanical stopper.

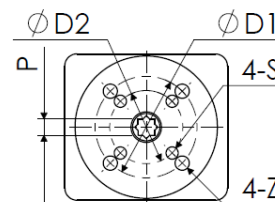


-DIMENSIONS

Reference	A	A1	B	B1	H	Weight (kg)
TEA-05N04	137	74	160	77	125	2,2
TEA-10N04	145	74	208	110	160	4
TEA-20N04	170	75	258	137	196	7
TEA-40N04*	170	75	258	137	196	7,8
TEA-60N04*	170	75	258	137	196	7,8

* - With torque limiter

Reference	Connection						Execution time (sec)	Torque (Nm)
	ISO 5211	P	ØD1	ØD2	4-S	4-Z		
TEA-05N04	F05/F07	14	50	36	4-M5	4-M6	30	50
TEA-10N04	F05/F07	17	70	50	4-M6	4-M8	30	100
TEA-20N04	F07/F10	22	102	70	4-M8	4-M10	30	200
TEA-40N04	F07/F10	27	102	70	4-M8	4-M10	30	400
TEA-60N04	F07/F10	27	102	70	4-M8	4-M10	30	600



ISO 5211
 Mounting plate

WORKING CONDITIONS

Ingress protection : IP67
 Ambient temperature : -30°C / +60°C