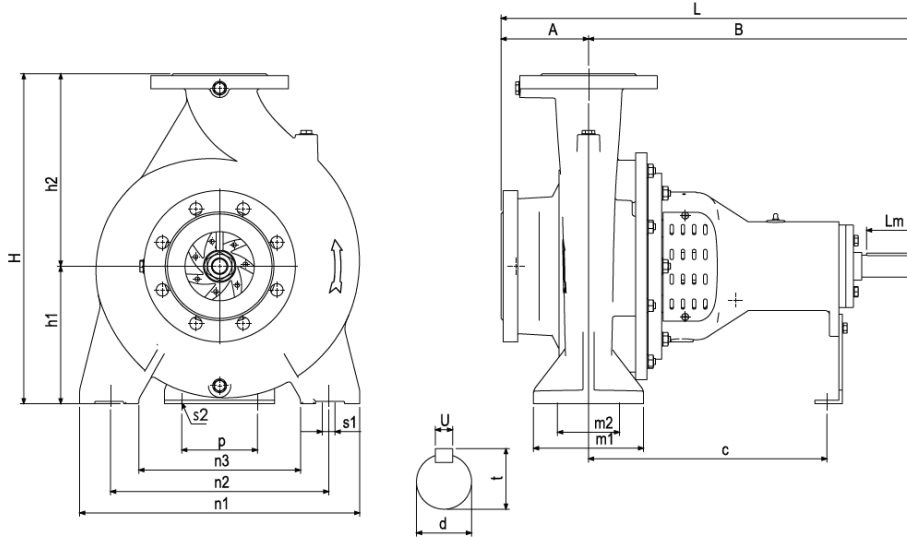
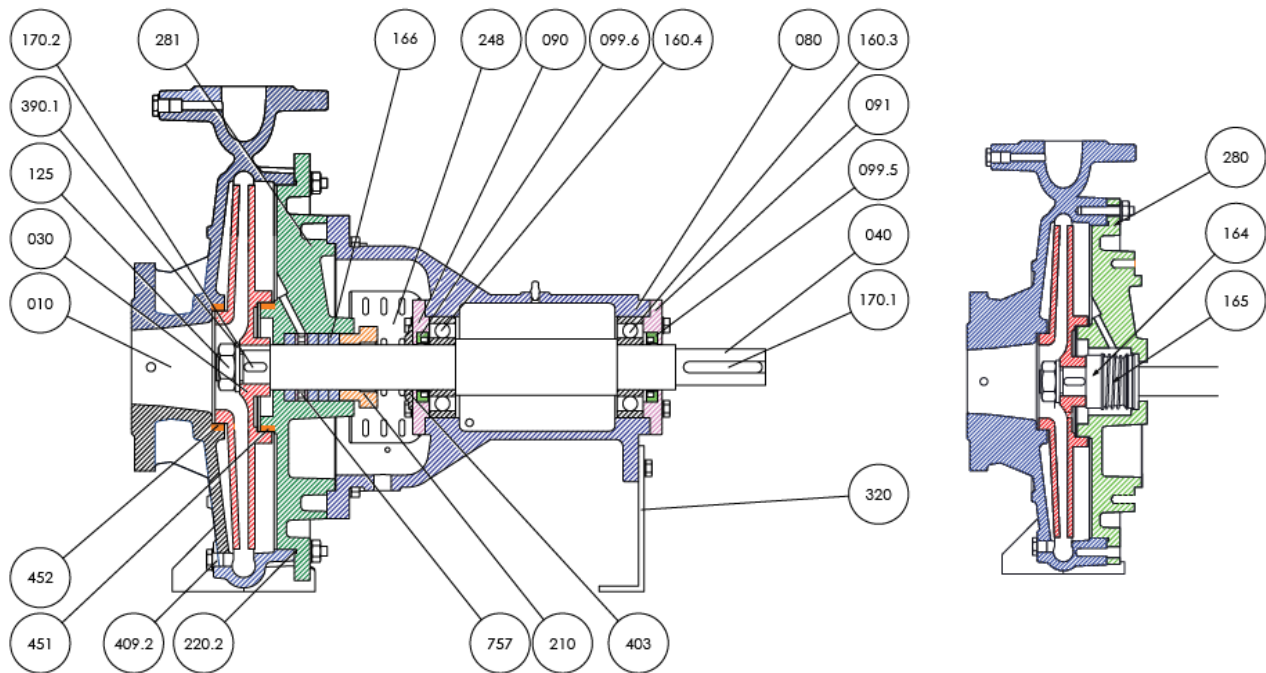


## MK-VNH



| Pump Type | DIMENSIONS         |     |     |     |      |      |     |     |                           |     |     |     |     |    |     |    |                      |    |     |    | Weight (kg) |     |
|-----------|--------------------|-----|-----|-----|------|------|-----|-----|---------------------------|-----|-----|-----|-----|----|-----|----|----------------------|----|-----|----|-------------|-----|
|           | Outside DIMENSIONS |     |     |     |      |      |     |     | Support & Foot DIMENSIONS |     |     |     |     |    |     |    | Shaft End DIMENSIONS |    |     |    |             |     |
|           | Dne                | Dnb | A   | B   | L    | H    | h1  | h2  | m1                        | m2  | n1  | n2  | n3  | s1 | p   | s2 | C                    | d  | Lm  | t  | u           |     |
| 32-125    | 50                 | 32  | 80  | 355 | 435  | 252  | 112 | 140 | 100                       | 70  | 190 | 140 | 90  | 12 | 110 | 14 | 221                  | 28 | 40  | 31 | 8           | 32  |
| 32-160    | 50                 | 32  | 80  | 355 | 435  | 292  | 132 | 160 | 100                       | 70  | 240 | 190 | 140 | 12 | 110 | 14 | 231                  | 28 | 40  | 31 | 8           | 40  |
| 32-200    | 50                 | 32  | 80  | 355 | 435  | 340  | 160 | 180 | 100                       | 70  | 240 | 190 | 140 | 12 | 110 | 14 | 231                  | 28 | 40  | 31 | 8           | 42  |
| 32-250    | 50                 | 32  | 100 | 355 | 455  | 405  | 180 | 225 | 126                       | 96  | 320 | 260 | 190 | 14 | 110 | 14 | 239                  | 28 | 40  | 31 | 8           | 52  |
| 40-125    | 65                 | 40  | 80  | 355 | 435  | 252  | 112 | 140 | 100                       | 70  | 210 | 160 | 110 | 13 | 110 | 14 | 230                  | 28 | 40  | 31 | 8           | 34  |
| 40-160    | 65                 | 40  | 80  | 355 | 435  | 292  | 132 | 160 | 100                       | 70  | 240 | 190 | 140 | 12 | 110 | 14 | 228                  | 28 | 40  | 31 | 8           | 41  |
| 40-200    | 65                 | 40  | 100 | 355 | 455  | 340  | 160 | 180 | 100                       | 70  | 266 | 212 | 160 | 12 | 110 | 14 | 234                  | 28 | 40  | 31 | 8           | 45  |
| 40-250    | 65                 | 40  | 100 | 355 | 455  | 405  | 180 | 225 | 126                       | 96  | 320 | 255 | 190 | 14 | 110 | 14 | 234                  | 28 | 40  | 31 | 8           | 58  |
| 40-315    | 65                 | 40  | 100 | 465 | 565  | 450  | 200 | 250 | 126                       | 96  | 350 | 280 | 190 | 16 | 110 | 14 | 334                  | 32 | 80  | 35 | 10          | 67  |
| 50-125    | 65                 | 50  | 100 | 355 | 455  | 292  | 132 | 160 | 100                       | 70  | 240 | 190 | 140 | 12 | 110 | 14 | 230                  | 28 | 40  | 31 | 8           | 35  |
| 50-160    | 65                 | 50  | 100 | 355 | 455  | 340  | 160 | 180 | 100                       | 70  | 266 | 212 | 160 | 12 | 110 | 14 | 223                  | 28 | 40  | 31 | 8           | 43  |
| 50-200    | 65                 | 50  | 100 | 355 | 455  | 360  | 160 | 200 | 100                       | 70  | 266 | 212 | 160 | 12 | 110 | 14 | 228                  | 28 | 40  | 31 | 8           | 50  |
| 50-250    | 65                 | 50  | 100 | 355 | 455  | 405  | 180 | 225 | 126                       | 96  | 316 | 250 | 180 | 12 | 110 | 14 | 241                  | 28 | 40  | 31 | 8           | 59  |
| 50-315    | 80                 | 50  | 125 | 475 | 600  | 505  | 225 | 280 | 126                       | 96  | 350 | 280 | 180 | 16 | 110 | 14 | 342                  | 32 | 80  | 35 | 10          | 91  |
| 65-125    | 80                 | 65  | 100 | 355 | 455  | 340  | 160 | 180 | 126                       | 96  | 280 | 212 | 150 | 14 | 110 | 14 | 230                  | 28 | 40  | 31 | 8           | 42  |
| 65-160    | 80                 | 65  | 100 | 355 | 455  | 360  | 160 | 200 | 126                       | 96  | 280 | 212 | 150 | 12 | 110 | 14 | 223                  | 28 | 40  | 31 | 8           | 48  |
| 65-200    | 80                 | 65  | 100 | 355 | 455  | 405  | 180 | 225 | 126                       | 96  | 320 | 250 | 180 | 12 | 110 | 14 | 230                  | 28 | 40  | 31 | 8           | 52  |
| 65-250    | 80                 | 65  | 100 | 475 | 575  | 450  | 200 | 250 | 160                       | 130 | 366 | 280 | 195 | 18 | 110 | 14 | 343                  | 32 | 80  | 35 | 10          | 92  |
| 65-315    | 80                 | 65  | 125 | 475 | 600  | 505  | 225 | 280 | 160                       | 130 | 405 | 315 | 230 | 18 | 110 | 14 | 340                  | 32 | 80  | 35 | 10          | 106 |
| 65-400    | 100                | 65  | 125 | 475 | 600  | 615  | 260 | 355 | 160                       | 130 | 435 | 355 | 275 | 16 | 110 | 14 | 340                  | 32 | 80  | 35 | 10          | 128 |
| 80-160    | 100                | 80  | 125 | 355 | 480  | 405  | 180 | 225 | 126                       | 96  | 315 | 250 | 185 | 12 | 110 | 14 | 230                  | 28 | 40  | 31 | 8           | 51  |
| 80-200    | 100                | 80  | 125 | 475 | 600  | 430  | 180 | 250 | 126                       | 96  | 345 | 280 | 200 | 16 | 110 | 14 | 343                  | 32 | 80  | 35 | 10          | 63  |
| 80-250    | 100                | 80  | 125 | 475 | 600  | 480  | 200 | 280 | 160                       | 130 | 405 | 315 | 220 | 18 | 110 | 14 | 346                  | 32 | 80  | 35 | 10          | 95  |
| 80-315    | 100                | 80  | 125 | 475 | 600  | 565  | 250 | 315 | 160                       | 130 | 405 | 315 | 235 | 18 | 110 | 14 | 342                  | 32 | 80  | 35 | 10          | 126 |
| 80-400    | 100                | 80  | 125 | 530 | 655  | 635  | 280 | 355 | 160                       | 130 | 440 | 355 | 270 | 14 | 110 | 14 | 344                  | 42 | 110 | 45 | 12          | 177 |
| 100-160   | 125                | 100 | 125 | 370 | 495  | 480  | 200 | 280 | 160                       | 130 | 360 | 280 | 195 | 18 | 110 | 14 | 255                  | 28 | 40  | 31 | 8           | 78  |
| 100-200   | 125                | 100 | 125 | 475 | 600  | 480  | 200 | 280 | 160                       | 130 | 360 | 280 | 205 | 20 | 110 | 14 | 345                  | 32 | 80  | 35 | 10          | 87  |
| 100-250   | 125                | 100 | 140 | 475 | 615  | 505  | 225 | 280 | 160                       | 130 | 400 | 315 | 235 | 18 | 110 | 14 | 343                  | 32 | 80  | 35 | 10          | 100 |
| 100-315   | 125                | 100 | 140 | 475 | 615  | 565  | 250 | 315 | 160                       | 130 | 400 | 315 | 230 | 18 | 110 | 14 | 343                  | 32 | 80  | 35 | 10          | 132 |
| 100-400   | 125                | 100 | 140 | 530 | 670  | 635  | 280 | 355 | 200                       | 170 | 505 | 400 | 295 | 20 | 110 | 14 | 341                  | 42 | 110 | 45 | 12          | 182 |
| 125-200   | 150                | 125 | 140 | 475 | 615  | 565  | 250 | 315 | 160                       | 130 | 400 | 315 | 240 | 18 | 110 | 14 | 344                  | 32 | 80  | 35 | 10          | 100 |
| 125-250   | 150                | 125 | 140 | 475 | 615  | 605  | 250 | 355 | 160                       | 130 | 400 | 315 | 240 | 16 | 110 | 14 | 346                  | 32 | 80  | 35 | 10          | 112 |
| 125-315   | 150                | 125 | 140 | 530 | 670  | 635  | 280 | 355 | 200                       | 170 | 505 | 400 | 295 | 20 | 110 | 14 | 361                  | 42 | 110 | 45 | 12          | 191 |
| 125-400   | 150                | 125 | 140 | 530 | 670  | 715  | 315 | 400 | 200                       | 170 | 505 | 400 | 295 | 20 | 110 | 14 | 345                  | 42 | 110 | 45 | 12          | 202 |
| 150-200   | 200                | 150 | 160 | 475 | 635  | 635  | 280 | 355 | 200                       | 170 | 515 | 400 | 295 | 20 | 110 | 14 | 342                  | 32 | 80  | 35 | 10          | 150 |
| 150-250   | 200                | 150 | 160 | 475 | 635  | 660  | 280 | 380 | 200                       | 170 | 515 | 400 | 295 | 20 | 110 | 14 | 343                  | 32 | 80  | 35 | 10          | 161 |
| 150-315   | 200                | 150 | 160 | 530 | 690  | 680  | 280 | 400 | 200                       | 170 | 560 | 450 | 340 | 24 | 110 | 14 | 361                  | 42 | 110 | 45 | 12          | 192 |
| 150-400   | 200                | 150 | 160 | 530 | 690  | 765  | 315 | 450 | 200                       | 170 | 560 | 450 | 340 | 22 | 110 | 14 | 344                  | 42 | 110 | 45 | 12          | 232 |
| 150-500   | 200                | 150 | 200 | 730 | 930  | 925  | 400 | 525 | 250                       | 220 | 720 | 600 | 435 | 27 | 140 | 20 | 495                  | 55 | 110 | 59 | 16          | 478 |
| 200-270   | 250                | 200 | 200 | 570 | 770  | 805  | 355 | 450 | 250                       | 220 | 600 | 500 | 350 | 23 | 140 | 20 | 410                  | 42 | 110 | 45 | 12          | 282 |
| 200-400   | 250                | 200 | 185 | 720 | 905  | 900  | 400 | 500 | 250                       | 220 | 600 | 500 | 360 | 25 | 140 | 20 | 525                  | 55 | 110 | 63 | 16          | 360 |
| 200-500   | 250                | 200 | 210 | 920 | 1130 | 925  | 400 | 525 | 300                       | 270 | 720 | 600 | 430 | 27 | 140 | 20 | 640                  | 70 | 140 | 75 | 20          | 642 |
| 250-350   | 300                | 250 | 255 | 960 | 1215 | 1000 | 450 | 550 | 300                       | 270 | 660 | 488 | 375 | 29 | 160 | 20 | 618                  | 70 | 75  | 75 | 20          | 450 |
| 250-400   | 300                | 250 | 230 | 750 | 980  | 925  | 400 | 525 | 300                       | 270 | 720 | 600 | 435 | 27 | 140 | 20 | 530                  | 55 | 110 | 59 | 16          | 460 |
| 250-500   | 300                | 250 | 225 | 940 | 1165 | 1080 | 450 | 630 | 300                       | 270 | 735 | 600 | 390 | 26 | 160 | 20 | 644                  | 70 | 140 | 75 | 20          | 660 |



## PART LIST

|       |                               |       |                             |
|-------|-------------------------------|-------|-----------------------------|
| 010   | Volute Casing                 | 210   | Gland                       |
| 030   | Impeller                      | 220.1 | O-Ring                      |
| 040   | Shaft                         | 220.2 | O-Ring                      |
| 080   | Bearing Housing               | 248   | Safety Sheet Metal          |
| 090   | Bearing Cover (Inside)        | 280   | Mechanical Seal Box         |
| 091   | Bearing Cover (Coupling Side) | 281   | Soft Packing Box            |
| 099.5 | Oil Seal (Coupling Side)      | 320   | Supporting Feet             |
| 099.6 | Oil Seal (Inside)             | 390.1 | Nut (Impeller)              |
| 125   | Impeller Nut                  | 403   | Thrower                     |
| 160.3 | Bearing                       | 409.2 | Draing Plug                 |
| 160.4 | Bearing                       | 451   | Wearing Ring (Casing Cover) |
| 164   | M. Seal Setting Nut           | 452   | Wearing Ring (Casing)       |
| 165   | Mechanical Seal               | 460   | Seal Nut                    |
| 166   | Soft Packing                  | 757   | Lantern Ring                |
| 170.1 | Coupling Key                  |       |                             |
| 170.2 | Impeller Key                  |       |                             |